

2023-07-27

RHD molecular analysis from discovery to next generation sequencing

Madgett, TE

<https://pearl.plymouth.ac.uk/handle/10026.1/21232>

10.21037/aob-22-41

Annals of Blood

AME Publishing Company

All content in PEARL is protected by copyright law. Author manuscripts are made available in accordance with publisher policies. Please cite only the published version using the details provided on the item record or document. In the absence of an open licence (e.g. Creative Commons), permissions for further reuse of content should be sought from the publisher or author.

RHD molecular analysis—from discovery to next generation sequencing

Tracey E. Madgett¹, Wajnat A. Tounsi², Amr J. Halawani³, Neil D. Avent¹

¹School of Biomedical Sciences, Faculty of Health, University of Plymouth, Plymouth, UK; ²Department of Medical Laboratory Sciences, Faculty of Applied Medical Sciences, King Abdulaziz University, Jeddah, Saudi Arabia; ³Department of Laboratory Medicine, Faculty of Applied Medical Sciences, Umm Al-Qura University, Makkah, Saudi Arabia

Contributions: (I) Conception and design: ND Avent, TE Madgett; (II) Administrative support: None; (III) Provision of study materials or patients: ND Avent, TE Madgett; (IV) Collection and assembly of data: All authors; (V) Data analysis and interpretation: All authors; (VI) Manuscript writing: All authors; (VII) Final approval of manuscript: All authors.

Correspondence to: Neil D. Avent, BSc, PhD, PGCertHE. C/o School of Biomedical Sciences, Faculty of Health, University of Plymouth, Derriford Research Facility, 14 Research Way, Plymouth, PL6 8BU, UK. Email: Neil.avent@plymouth.ac.uk

Abstract: This review traces the evolution of *RHD* genotyping from the very early days of the discovery of Rh polypeptides in 1982, and the pioneering work of the late 1980s and early 1990s that made the whole approach of *RH* genotyping possible. This work is often overlooked in contemporary Rh literature with citations of reviews being used which often do not give the complete background story. We have attempted to rectify this here. This review focuses primarily on *RHD* genotyping, primarily because of space constraints not to include *RHCE* but also because *RHD* is of greater clinical significance. In Europe many countries offer routine non-invasive prenatal *RHD* screening to direct the use of prophylactic anti-D to mothers that require it—namely are carrying D-positive fetuses. The genotyping approach is empirical (and wisely so) and any potential variant identified in this process is treated as D-positive. In such cases although sometimes unnecessary administration of prophylactic anti-D may be given, it only reflects the situation that predated mass scale non-invasive testing, and many countries not offering *RHD* screening. The complexity of the *RHD* gene and the known plethora of D variants (partial, weak D-elite and multiple genetic mechanisms generating the D-negative phenotype) are explored but only inasmuch as the technology to detect them is discussed. By far the most powerful means of accurate *RHD* genotyping, so called gold standard testing is next-generation sequencing although our discussion is tempered by several caveats mainly involving the rapid bioinformatic determination of a D variant from its resultant sequence. We stress however that next generation sequencing (NGS) offers the substantial advantage over other conventional *RHD* genotyping strategies in that novel variants can be identified whereas other methods require that the variant has been previously described so as to direct sequence specific analysis.

Keywords: *RHD* genotyping; blood groups; next generation sequencing (NGS); RH; single molecule sequencing (SMS)

Received: 16 November 2022; Accepted: 10 July 2023; Published online: 27 July 2023.

doi: 10.21037/aob-22-41

View this article at: <https://dx.doi.org/10.21037/aob-22-41>

Introduction

Background

RHD genotyping is a critical part of the modern transfusion medicine diagnostic laboratory. D remains one of the most

clinically significant blood group antigens in transfusion and in pregnancy and the significant number of D variants described to date compound many investigations requiring complex molecular analysis. This review focusses entirely on *RHD* but it should be appreciated that there is similar

complexity surrounding *RHCE* variants. The review cites useful resources for cataloguing and describing the clinical significance of *RHD* variants, which genotyping methods must be able to define with a high degree of accuracy.

Rationale and knowledge gap

Several vulnerable patient groups are now supported significantly by *RHD* genotyping. In Europe, this has included the screening of many European pregnant D-negative women to genotype their fetuses in order to target the use of prophylactic anti-D to only pregnancies where D-positive infants are identified. The review describes these mass-scale applications of *RHD* genotyping which have been an outstanding success. Another vulnerable patient group which has been supported by *RH* (both *RHD* and *RHCE*) genotyping are multi-transfused patients, for example, in sickle cell disease. Where conventional genotyping technology is limited is that predominantly they require that the variant under investigation is previously known (mutations) so that polymerase chain reaction (PCR) amplification primers and probes can identify them. Next generation sequencing (NGS) has the potential to close this knowledge gap, it has no requirement to have previously defined mutations, with the exception that known *RHD* and *RHCE* targets are sequenced by gene-specific amplification. However, much is yet to be done to ensure that NGS and associated bioinformatics can support transfusion medicine laboratories effectively. These issues are discussed in this review.

Objective

We feel that the early pioneering years of *RH* molecular biology are often neglected in the literature when referring to the pathway leading to techniques that we all take for granted. We hope this review will address this and give due recognition to the early pioneering work that made this approach possible. Whilst the remainder of the review primarily focuses on NGS, brief mentions of other technologies that have emerged over the past twenty years (notably microarray platforms) are made. Finally, we have made reference to shortcomings in NGS as applied to *RHD* genotyping which lie predominantly in the bioinformatic based approaches to diagnosis. These are yet to be truly bespoke to *RH* and although the sequencing part of this approach is straightforward, the accurate reporting of *RH* variants has yet to be fully realized, especially considering that many novel variants still await discovery.

A brief history of Rh molecular analysis

The molecular era of Rh research emerged in the 1980s when Moore *et al.*, and Carl Gahmberg almost simultaneously discovered that a 30–32 kDa red cell membrane protein was found in immunoprecipitates prepared from radio-iodinated red cells using anti-Rh sera (1,2). It was also realised five years later that these immunoprecipitates also contained a diffusely migrating (on SDS-PAGE gels) 45–50 kDa glycoprotein, later termed the Rh-associated glycoprotein, RhAG (3,4). In this relatively short time span, and somewhat serendipitously (as there was no direct proof at this stage), the major radio labelled 30–32 kDa component was assumed to carry all Rh antigens, and that RhAG was a tightly associated component that was invariably co-immunoprecipitated with anti-Rh. The emergence of monoclonal anti-D and other Rh specificities enabled two groups to purify both Rh proteins and RhAG to homogeneity sufficient to obtain N-terminal amino acid sequences (4,5). Using a different approach (hydroxyapatite chromatography), Peter Agre's group of Johns Hopkins was also able to obtain N-terminal amino acid sequences of RhD proteins (6).

Following the determination of primary amino acid sequences of both Rh and RhAG in 1990 two groups described the isolation of cDNA clones of a RhCcEe mRNA (7,8). Two years later a *RHD* mRNA was cDNA cloned (9,10), and also that encoding RhAG (11). The publication of these sequences enabled the widespread assessment of Rh alleles, using reverse-transcriptase coupled PCR to isolate Rh cDNAs from peripheral blood drawn from individuals of known Rh phenotypes. Despite recent advances in NGS technologies (which this review will address), reverse transcription polymerase chain reaction (RT-PCR) followed by full length sequence analysis of Rh cDNAs still remains the gold standard method for the determination of Rh variants. In 1996 the molecular basis of the Rh_{null} phenotype was defined (12), point mutations in *RHAG* were demonstrated in such phenotype individuals showing the critical requirement of the RhAG in Rh complex assembly. Consequently, for a full assessment of a Rh variant, *RHAG* should be sequenced in addition to both *RH* genes. This is discussed later in this review.

RT-PCR based determination of Rh variants

At an early stage following Rh cDNA cloning, RT-PCR was used in combination with other molecular techniques to determine a number of *RHD* variants which had been

described in the literature previously. Initially this included the clinically significant DVI variant (13) but rapidly included all of the D-categories DII, DIIIa, DIIIb, DIIIc, DIVa, DIVb, DVa, DVb, and DVII (14). In the early 1990s the original 7 D-category system was replaced by a nomenclature which was not consistent (three letter acronyms, e.g., DFR, DBT, DNU) which initially included a D followed by a descriptor which was either the initials of the country of origin, anti-D which defined the D variant or initials of the propositus (14-16). The International Society of Blood Transfusion (ISBT) has also published a complete list of *RHD* (004) alleles (www.ISBTweb.org/resource/004rhd.html).

Determination of *RH* gene structure

Shortly after the description of the first Rh cDNA, southern blotting using it as a probe determined that most D-negative individuals lacking the *RHD* gene are caused by a gross deletion (17). However, several D negative individuals were described that did not have this deletion. Gradually the molecular bases of these D-negative phenotypes emerged, including the common (in individuals of African ancestry) *RHD* pseudogene *RHD*Ψ* (18). Point mutations, hybrid *RHD-RHCE* genes, and small deletions were described and by the early 2000s it was realised that *RH* genetics was complex and that the various Rh phenotypes could readily be determined using molecular techniques (19). Workers also began to discover that the two genes *RHD* and *RHCE* had structural differences first described being an *Alu* repeat inserted in intron 4 of *RHCE* and that exon 10 of *RHD* was structurally larger (10,20). These physical differences opened up the availability of *RHD* genotyping assays which were utilized in the prenatal determination of fetal blood group in cases of *RHD* incompatibility leading to Hemolytic Disease of the Fetus and Newborn (HDFN). This eventually led to mass scale genotyping of whole European populations of *RHD*-negative women in order to preserve stocks of prophylactic anti-D where administration of it to mothers carrying D-negative fetuses is not required (21-24).

RH gene structure was further resolved when the ten intron/exon boundaries were defined (25). Then in 2000 Wagner *et al.*, finally resolved the gross *RH* gene architecture based on progress in the human genome project and empirical experimentation (26). This paper described that *RHD* and *RHCE* were arranged in a tail to tail configuration and a gene *TMEM50A* (then termed *SMP1*) was located between them. *TMEM50A* appears to

play a role in the expression of the products of the *RHCE* gene (27).

Weak and partial D

Following the cDNA cloning publications described earlier, research efforts were directed toward the molecular basis of weak D. Weak D has been operationally defined as a depression in D antigen site density but with no apparent loss of D epitopes, and thus no potential to generate anti-D following transfusion or pregnancy. This was in contrast to partial D, where D epitopes were missing, and clinically significant anti-D can be produced on exposure to normal D-positive red cells. Most partial D also have a marked depression in D antigen site density (28). Now we realise that this black/white definition does not have a precise boundary, as many examples of weak D have been described that do indeed produce anti-D (29). This has prompted several to suggest that the weak/partial D definition be abandoned and the term *RH* variant used instead (30). Early efforts to define the molecular basis of weak D had included a suggestion that a depression in RhD mRNA levels was responsible (31), later shown to be incorrect as described below.

In 1999 a breakthrough was achieved regarding the molecular basis of weak D. Using long-range PCR to amplify all ten *RHD* exons and flanking intronic regions and cDNA analysis Wagner *et al.* found that in all weak D samples investigated they possessed exonic mutations. This paper also described the molecular basis of weak D types 1-16 (32).

Since these pioneering studies describing the molecular background of partial and weak D phenotypes well over 150 weak D phenotypes, and over 100 partial D phenotypes have been described. This, along with multiple Del (D-elute) phenotypes (where D antigen expression is very weak indeed only detectable using sensitive adsorption-elution assays) shows a high degree of variability in Rh genetics. It is of clinical importance to establish the molecular backgrounds of these *RH* variants in order to inform both transfusion and pregnancy management in cases of alloimmunisation. By far the best resource available to those requiring information regarding *RH* variants is the Rhesus base website (<http://www.rhesusbase.info>) (33) which is curated by Dr. Franz Wagner.

The emergence of DNA microarrays

In 2005-2007 (34,35) two publications appeared describing the

application of DNA microarrays and bead chip technology to the field of blood group genotyping (BGG). Both publications were supported by commercial manufacturers that brought products to the market [Progenika AG now part of Grifols (Derio, Spain) and Bioarray Solutions now part of Immucor (Warren, New Jersey, USA)]. Both platforms have subsequently been developed both involving probes to blood group specific single nucleotide variants (SNVs) attached to beads. Both of these platforms and others have found widespread application to inventory antigen-negative blood donations in blood banks and provide support to multi-transfused patients, notably sickle-cell disease (SCD) sufferers.

Array/bead chip technology clearly is of benefit to laboratories carrying out BGG. The technology is however limited to blood group-specific SNVs where the molecular basis has been previously described. This is an obvious limitation, but fortunately most clinically significant blood group antigens can be genotyped using them. For *RH*, it is clear that there are a significant number of variants still to be discovered, for example, we recently discovered 8 new variants in a Finnish D-negative pregnant female cohort (see later). Considering that *RHD* and *RHCE* are highly variable in individuals of African ancestry, where SCD is of major transfusion concern, higher resolution BGG of these genes is desirable. For this reason, direct sequence analysis using conventional NGS technology became desirable.

NGS based assessment of *RH* sequences

The long range-PCR approach adopted by Wagner *et al.*, in 1999 (32) illustrated the relative simplicity of determining new *RH* variants by the analysis of sequences amplified directly from genomic DNA. In many cases the fresh samples normally required for RT-PCR analysis were unavailable. With the emergence of massively parallel sequencing or NGS technologies in 2005 (36), it was obvious that these techniques could be readily applied to the determination of *RH* variants. All NGS technologies require amplification of genomic targets, followed by their fragmentation [with the exception of single molecule sequencing (SMS), see later] and massively parallel sequencing of these fragments after their capture on beads. These sequences are then aligned to the human genome sequence, and then assembled utilising software into the final sequence readout. It is imperative that sufficient fragment populations are sequenced to cover the entire sequence, and *read depth* (numbers of times a particular base is sequenced) is a critical quality control in these

experiments as misincorporations can then be identified and ignored, and that there are no gaps in the sequence reads. Single base mutations can then be readily identified by virtue of a roughly 50:50 split of the sequence read between two bases when compared to the human genome reference sequence.

For NGS technology to function at all it is critical that the human genome sequence (or any target genome sequence for that matter) is available. Rather unfortunately the *RHD* reference sequence found in the hg19 and hg38 human genome builds (those most commonly used by NGS software) is a rare *RHD* variant *DAU0* [ISBT *RHD**10.00; encoded by c1136C.T (p.Thr379Met) in exon 8] which was soon realised (37). Thus, any analysis of normal *RH* genes when using the hg19 or hg38 builds will immediately identify *DAU0*-specific SNVs as apparent “mutations” when they are not. There are multiple *DAU0*-specific SNVs within its *RHD* gene (see *Figure 1*). It was therefore of critical importance to establish reference *RHD* and *RHCE* genes from individuals expressing the most common Rh phenotypes.

We and others cited here developed protocols for NGS of both *RHD* and *RHCE* and for the *RHAG* gene which has been shown to cause *RH*-ablation in Rh_{null} phenotypes. Several reports have involved the amplification of specific *RHCE* and *RHD* targets using allele-specific primers in order to amplify all or some *RHD* and *RHCE* exons and flanking intronic regions (38-44) whilst one paper reports using consensus *RH* primers (42). These studies have been directed to the management of patients with sickle cell disease but have, of course, wider implications to complex Rh analysis in patients and donors.

Our protocol is the only one described thus far in the literature to be capable of sequencing *RHD* in its entirety [out with whole genome sequencing (WGS)] and we briefly describe it here (44). Our method involves the amplification of the entire *RHD* gene in six overlapping long range-PCR fragments (*Figure 2*). These were then subjected to an Ion-Torrent PGM (personal gene machine) protocol (other platforms can of course be utilized) for NGS of these products. Initially, and as suggested above, we sequenced individuals expressing the most common RhD phenotypes to define reference sequences for *RHD* isolated from individuals expressing the most common Rh haplotypes Dce, DCe and DcE. In order to ensure that a single *RHD* gene was analysed these individuals were tested for *RHD* zygosity (45) using droplet digital PCR so that only hemizygous individuals were sequenced. We found that 38

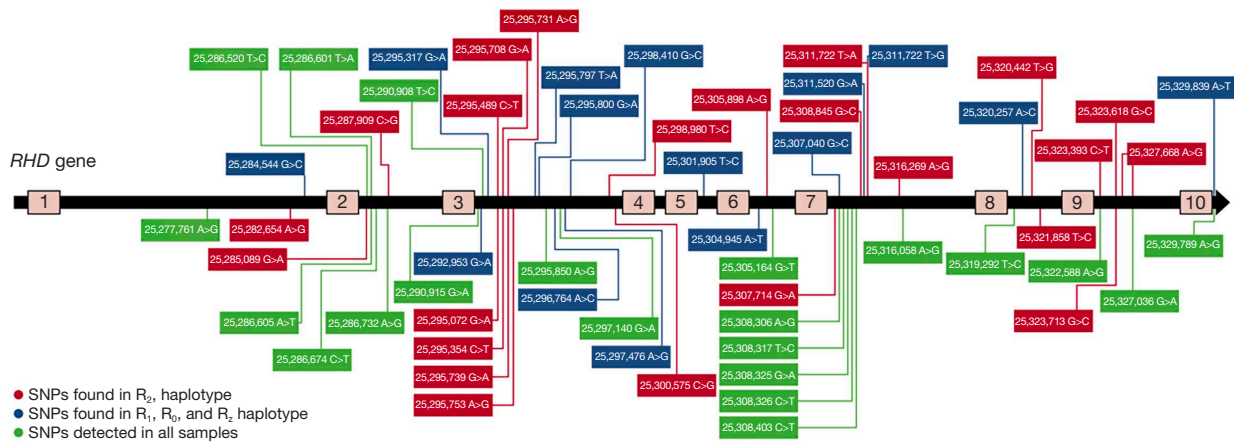


Figure 1 Positions of allelic intronic SNVs found in the *RHD* gene. Those shown in red are those found in the *RHD* gene from DcE haplotypes; in green those that differentiate *DAU0* from normal *RHD* haplotypes; those in blue are found in the *RHD* gene from individuals with the Dce and DCe haplotype. Note that *DAU0* (hg38) shares SNVs with the DcE haplotype, thus 38 SNVs in total differentiate between DcE and Dce/DCe haplotypes. A single SNV at codon T379M in exon 8 is found only in *DAU0*/hg38, and not shown on this figure. Tounsi WA PhD Thesis, University of Plymouth. SNV, single nucleotide variant.

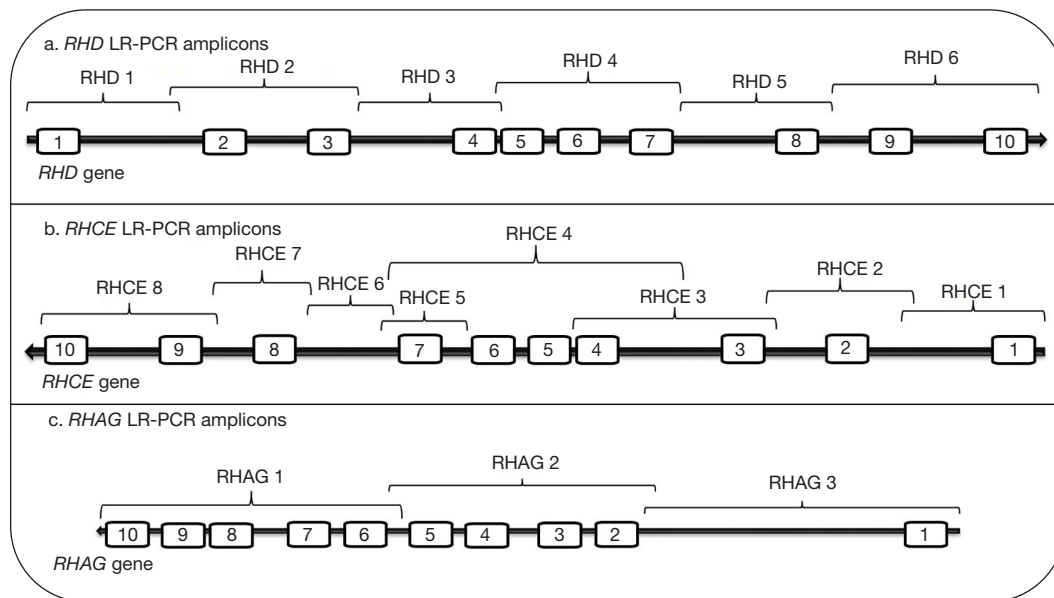


Figure 2 Location of amplicons used to amplify *RHD* for NGS. Positions of long-range PCR amplicons used to amplify *RHD*, *RHCE* and *RHAG* are depicted in relation to their respective exons. Each LR-PCR product was purified and then subjected to next generation sequencing using an Ion-Torrent NGS protocol. *RHAG* sequencing is performed in instances where no changes are identified in either of the *RH* genes. This research was originally published in *Blood Advances*. *Blood Adv.* 2018;2:2713-2723. © the American Society of Hematology. LR-PCR, long-range polymerase chain reaction; NGS, next generation sequencing.

SNVs, interspersed throughout the *RHD* gene, defined the differences between the Dce/DcE and DcE *RHD* genes. Interestingly we confirmed the earlier findings that the *DAU0* gene corresponds to the hg19/38 human genome reference sequence, carries 21 intronic SNVs specific for *DAU0* in addition to the exon 8 mutation encoding T379M which is common to all DAU phenotypes (46). Hg19/38/*DAU0* also carries SNVs found in both *RHD* genes from DcE and DcE/Dce haplotypes (Figure 1). Thus, sequencing of any *RHD* variant with NGS technology and utilising hg19/38 as reference sequence will all need to consider the *DAU0* gene mutations before identifying SNVs that would characterize any new variant.

We applied our NGS-*RHD* protocol to the analysis of 35 Finnish samples that had been identified by virtue of the fact they were serologically D-negative pregnant women but had detected the presence of fragments of *RHD* by conventional PCR-sequence specific primer (PCR-SSP) methods (47). NGS analysis revealed that 16 of these had previously been described as partial/D-negative/weak D/Del alleles. Fifteen of the remaining samples were found to encode 8 novel D variants. The remaining 4 samples failed to amplify various amplicon sets using our NGS-*RHD* method. In one of these samples an *RHD* amplicon described by (40), covering the region from exon 2 to exon 7 was amplified. It was found that part of intron 2 and the whole of exon 3 was deleted thus causing a D-negative phenotype. The other samples could not have their molecular basis determined due to the inability to amplify the entire *RHD* gene, but maybe have similar molecular backgrounds to the partial *RHD* gene deletion.

The phasing issue and SMS

The NGS protocol we adopted and that of the major commercial supplier of NGS technology, Illumina depends on short read sequencing of fragmented DNA products of the order of 200–400 bp. Whilst this method is readily applicable to samples obtained from hemizygous individuals there is an issue in defining maternally or paternally inherited mutations in homozygous *RHD/RHD* individuals. Due to the short reads of individual sequencing products, it is impossible to phase a number of mutations potentially spread across the entire *RHD* gene. SMS can address this issue with long >10 kb reads from the PCR amplicons used as starting material. We have used the MinION nanopore based sequencing platform to explore this issue (48). The results readily show the applicability to sequencing homozygous individuals but as 6 *RHD*-specific amplicons

were used still does not completely address the phasing issue as mutations can occur on more than one amplicon. Zhang *et al.* (49) used a PacBio single molecule sequencer to investigate 11 individuals, 2 Caucasian and 9 with African ancestry. They achieved reads of 2.1–2.9 kb and used phasing markers to establish *RH* haplotypes. Interestingly in an individual carrying the *RHD** Ψ , they found a 5.6 kb translocation of *RHD* into *RHCE* encompassing part of intron 8, exon 8 and part of intron 9 using this methodology. This would remain invisible to conventional NGS, illustrating the resolving power of long-read NGS.

Limitations of NGS when analysing *RHD* genes

As discussed earlier, many *RHD* variants possess hybrid *RHD/RHCE* genes, for example, all described DVI phenotypes. This presents a challenge when using current NGS technology for sequence analysis. This is largely due to the requirement to amplify long-range PCR amplicons prior to sequencing. In order to ensure these products are only derived from *RHD*, the forward and/or reverse PCR primers are allele specific. Thus, in hybrid genes some products may fail to amplify. An approach using combinations of *RHD* and *RHCE* specific primers may address this but must be bespoke for the variant under investigation—rarely an option for a busy reference laboratory. This is furthermore complicated by the potential occurrence of *RHCE* variants that harbour portions of the *RHD* gene. WGS coupled with suitable algorithms to define hybrid *RH* gene variants may also resolve these situations.

As already outlined, the universal adoption of the human genome sequence assemblies hg19/hg38 in software supplied with all NGS platforms is not ideal for BGG approaches. The unfortunate finding that the human genome sequence for a *RHD* gene is the rare *DAU0* allele over complicates analysis. Our group has also found that a rare *JK* gene which is the reference hg19/38 gene does not resemble the common *JK**A or *JK**B alleles also complicates the analysis of *JK* genotypes (Altayar, Madgett & Avent, unpublished). For BGG exploiting NGS to be efficient for all blood group genes, bespoke databases with reference sequences of known blood group genotypes would be helpful. Such an approach has been described (50), but only includes data from the 1000 Genomes project. WGS, coupled with suitable analytical algorithms, has been shown to have sufficient resolving power to define *RH* genotypes and has been described recently (51), however full genome sequencing still is at a cost of around \$1,000 per genome.

It would be prudent however to perform such analysis on multi-transfused patients or even routine repeat blood donors.

Conclusions

This review has primarily focussed on historical aspects of *RHD* gene cloning and analysis that have led to the new gold standard approach of *RHD* genotyping by NGS. It is important to stress that much *RHD* genotyping is performed by conventional methods such as allele-specific PCR, often in combination with real-time quantitative PCR (for example, in prenatal testing used extensively in Europe). We have discussed microarray technology which is high throughput with several commercial examples being available. Another widespread technique in many areas of genotyping is the MLPA (multiplex ligation-dependent probe amplification) technique developed by MRC-Holland in the early 2000s which has been applied to *RHD* and *RHCE* genotyping (52). Using this technique has shown that hybrid *RHCE-RHD* genes lie in cis to the *RHD** Ψ .

NGS undoubtedly provides a powerful tool in the armoury of red cell genotyping laboratories. It especially provides the ability to determine unknown *RH* variants which are not possible using microarray/bead technology that require the SNV combinations to be known in advance. There are shortcomings in the software analysis for BGG with respect to reference sequence utilisation but could readily be addressed by a commercial supplier of NGS kits for BGG. Long-read sequencing (single molecule) does partially resolve the ability to phase a particular allele but still is over complicated when analysing homozygous *RHD/RHD* as one will need to assume any detected variant is being analysed in tandem with a normal *RHD* gene, which is not always the case. Zygosity determination does also give a great deal of analytical power when coupled with NGS and should be routinely performed on any sample undergoing investigation as hybrid genes can be identified using this technology.

NGS still has a way to go before it can be applied routinely in BGG, foremost is the requirement to define reference sequences for the common blood group alleles and their incorporation into suitable analytical software. Nevertheless, the evolution of this technology in the past 16 years has been very significant and should be considered by specialist reference laboratories. The abundance of undefined *RH* variants also remains apparent, and NGS offers the best high throughput solution to this ongoing issue.

Acknowledgments

Funding: None.

Footnote

Provenance and Peer Review: This article was commissioned by the Guest Editors (Emilia Sippert, Carine Prisco Arnoni and Maria Rios) for the series “Novel RH alleles” published in *Annals of Blood*. The article has undergone external peer review.

Peer Review File: Available at <https://aob.amegroups.com/article/view/10.21037/aob-22-41/prf>

Conflicts of Interest: All authors have completed the ICMJE uniform disclosure form (available at <https://aob.amegroups.com/article/view/10.21037/aob-22-41/coif>). The series “Novel RH alleles” was commissioned by the editorial office without any funding or sponsorship. Dr. NDA received funding for PhD studentships and consumables from Saudi cultural bureau and declares the advice given and paid to NDA for Non-invasive testing of blood groups, and payment to NDA for pending case. The authors have no other conflicts of interest to declare.

Ethical Statement: The authors are accountable for all aspects of the work in ensuring that questions related to the accuracy or integrity of any part of the work are appropriately investigated and resolved.

Open Access Statement: This is an Open Access article distributed in accordance with the Creative Commons Attribution-NonCommercial-NoDerivs 4.0 International License (CC BY-NC-ND 4.0), which permits the non-commercial replication and distribution of the article with the strict proviso that no changes or edits are made and the original work is properly cited (including links to both the formal publication through the relevant DOI and the license). See: <https://creativecommons.org/licenses/by-nc-nd/4.0/>.

References

1. Moore S, Woodrow CF, McClelland DB. Isolation of membrane components associated with human red cell antigens Rh(D), (c), (E) and Fy. *Nature* 1982;295:529-31.
2. Gahmberg CG. Molecular identification of the human Rho (D) antigen. *FEBS Lett* 1982;140:93-7.

3. Moore S, Green C. The identification of specific Rhesus-polypeptide-blood-group-ABH-active-glycoprotein complexes in the human red-cell membrane. *Biochem J* 1987;244:735-41.
4. Avent ND, Ridgwell K, Mawby WJ, et al. Protein-sequence studies on Rh-related polypeptides suggest the presence of at least two groups of proteins which associate in the human red-cell membrane. *Biochem J* 1988;256:1043-6.
5. Bloy C, Blanchard D, Dahr W, et al. Determination of the N-terminal sequence of human red cell Rh(D) polypeptide and demonstration that the Rh(D), (c), and (E) antigens are carried by distinct polypeptide chains. *Blood* 1988;72:661-6.
6. Saboori AM, Smith BL, Agre P. Polymorphism in the Mr 32,000 Rh protein purified from Rh(D)-positive and -negative erythrocytes. *Proc Natl Acad Sci U S A* 1988;85:4042-5.
7. Chérif-Zahar B, Bloy C, Le Van Kim C, et al. Molecular cloning and protein structure of a human blood group Rh polypeptide. *Proc Natl Acad Sci U S A* 1990;87:6243-7.
8. Avent ND, Ridgwell K, Tanner MJ, et al. cDNA cloning of a 30 kDa erythrocyte membrane protein associated with Rh (Rhesus)-blood-group-antigen expression. *Biochem J* 1990;271:821-5.
9. Le van Kim C, Mouro I, Chérif-Zahar B, et al. Molecular cloning and primary structure of the human blood group RhD polypeptide. *Proc Natl Acad Sci U S A* 1992;89:10925-9.
10. Arce MA, Thompson ES, Wagner S, et al. Molecular cloning of RhD cDNA derived from a gene present in RhD-positive, but not RhD-negative individuals. *Blood* 1993;82:651-5.
11. Ridgwell K, Spurr NK, Laguda B, et al. Isolation of cDNA clones for a 50 kDa glycoprotein of the human erythrocyte membrane associated with Rh (rhesus) blood-group antigen expression. *Biochem J* 1992;287 (Pt 1):223-8.
12. Cherif-Zahar B, Raynal V, Gane P, et al. Candidate gene acting as a suppressor of the RH locus in most cases of Rh-deficiency. *Nat Genet* 1996;12:168-73.
13. Mouro I, Le Van Kim C, Rouillac C, et al. Rearrangements of the blood group RhD gene associated with the DVI category phenotype. *Blood* 1994;83:1129-35.
14. Avent ND, Reid ME. The Rh blood group system: a review. *Blood* 2000;95:375-87.
15. Daniels G. Variants of RhD--current testing and clinical consequences. *Br J Haematol* 2013;161:461-70.
16. Reid ME, Lomas-Francis C, Olsson ML. The blood group antigen factsbook. Academic Press, 3rd edition, London and New York. ISBN: 9780124158498; 2012.
17. Colin Y, Chérif-Zahar B, Le Van Kim C, et al. Genetic basis of the RhD-positive and RhD-negative blood group polymorphism as determined by Southern analysis. *Blood* 1991;78:2747-52.
18. Singleton BK, Green CA, Avent ND, et al. The presence of an RHD pseudogene containing a 37 base pair duplication and a nonsense mutation in africans with the Rh D-negative blood group phenotype. *Blood* 2000;95:12-8.
19. Wagner FF, Frohmajer A, Flegel WA. RHD positive haplotypes in D negative Europeans. *BMC Genet* 2001;2:10.
20. Avent ND, Martin PG, Armstrong-Fisher SS, et al. Evidence of genetic diversity underlying Rh D-, weak D (Du), and partial D phenotypes as determined by multiplex polymerase chain reaction analysis of the RHD gene. *Blood* 1997;89:2568-77.
21. Finning K, Martin P, Summers J, et al. Effect of high throughput RHD typing of fetal DNA in maternal plasma on use of anti-RhD immunoglobulin in RhD negative pregnant women: prospective feasibility study. *BMJ* 2008;336:816-8.
22. de Haas M, Thurik FF, van der Ploeg CP, et al. Sensitivity of fetal RHD screening for safe guidance of targeted anti-D immunoglobulin prophylaxis: prospective cohort study of a nationwide programme in the Netherlands. *BMJ* 2016;355:i5789.
23. Clausen FB, Steffensen R, Christiansen M, et al. Routine noninvasive prenatal screening for fetal RHD in plasma of RhD-negative pregnant women-2 years of screening experience from Denmark. *Prenat Diagn* 2014;34:1000-5.
24. Haimila K, Sulin K, Kuosmanen M, et al. Targeted antenatal anti-D prophylaxis program for RhD-negative pregnant women - outcome of the first two years of a national program in Finland. *Acta Obstet Gynecol Scand* 2017;96:1228-33.
25. Chérif-Zahar B, Le Van Kim C, Rouillac C, et al. Organization of the gene (RHCE) encoding the human blood group RhCcEe antigens and characterization of the promoter region. *Genomics* 1994;19:68-74.
26. Wagner FF, Flegel WA. RHD gene deletion occurred in the Rhesus box. *Blood* 2000;95:3662-8.
27. Chen H, Lv P, Liu Z, et al. Preliminary study on the function of TMEM50A and its correlation with the RH genes. *Transfus Med* 2021;31:277-85.
28. Jones JW, Lloyd-Evans P, Kumpel BM. Quantitation of Rh D antigen sites on weak D and D variant red cells by flow cytometry. *Vox Sang* 1996;71:176-83.
29. Sandler SG, Chen LN, Flegel WA. Serological weak D

- phenotypes: a review and guidance for interpreting the RhD blood type using the RHD genotype. *Br J Haematol* 2017;179:10-9.
30. Daniels G, Poole G, Poole J. Partial D and weak D: can they be distinguished? *Transfus Med* 2007;17:145-6.
 31. Rouillac C, Gane P, Cartron J, et al. Molecular basis of the altered antigenic expression of RhD in weak D(Du) and RhC/e in RN phenotypes. *Blood* 1996;87:4853-61.
 32. Wagner FF, Gassner C, Müller TH, et al. Molecular basis of weak D phenotypes. *Blood* 1999;93:385-93.
 33. Wagner FF, Flegel WA. The Rhesus Site. *Transfus Med Hemother* 2014;41:357-63.
 34. Avent ND, Martinez A, Flegel WA, et al. The BloodGen project: toward mass-scale comprehensive genotyping of blood donors in the European Union and beyond. *Transfusion* 2007;47:40S-6S.
 35. Hashmi G, Shariff T, Seul M, et al. A flexible array format for large-scale, rapid blood group DNA typing. *Transfusion* 2005;45:680-8.
 36. Margulies M, Egholm M, Altman WE, et al. Genome sequencing in microfabricated high-density picolitre reactors. *Nature* 2005;437:376-80.
 37. Lane WJ, Westhoff CM, Gleadall NS, et al. Automated typing of red blood cell and platelet antigens: a whole-genome sequencing study. *Lancet Haematol* 2018;5:e241-e251.
 38. Fichou Y, Mariez M, Le Maréchal C, et al. The experience of extended blood group genotyping by next-generation sequencing (NGS): investigation of patients with sickle-cell disease. *Vox Sang* 2016;111:418-24.
 39. Dezan MR, Ribeiro IH, Oliveira VB, et al. RHD and RHCE genotyping by next-generation sequencing is an effective strategy to identify molecular variants within sickle cell disease patients. *Blood Cells Mol Dis* 2017;65:8-15.
 40. Schoeman EM, Roulis EV, Liew YW, et al. Targeted exome sequencing defines novel and rare variants in complex blood group serology cases for a red blood cell reference laboratory setting. *Transfusion* 2018;58:284-93.
 41. Jakobsen MA, Dellgren C, Sheppard C, et al. The use of next-generation sequencing for the determination of rare blood group genotypes. *Transfus Med* 2019;29:162-8.
 42. Stef M, Fennell K, Apraiz I, et al. RH genotyping by nonspecific quantitative next-generation sequencing. *Transfusion* 2020;60:2691-701.
 43. Lopez GH, McGowan EC, Condon JA, et al. Genotyping by sequencing defines independent novel RHD variants for an antenatal patient and a blood donor. *Transfusion* 2017;57:2281-3.
 44. Tounsi WA, Madgett TE, Avent ND. Complete RHD next-generation sequencing: establishment of reference RHD alleles. *Blood Adv* 2018;2:2713-23. Erratum in: *Blood Adv* 2019;3:120.
 45. Sillence KA, Halawani AJ, Tounsi WA, et al. Rapid RHD Zygosity Determination Using Digital PCR. *Clin Chem* 2017;63:1388-97.
 46. Wagner FF, Ladewig B, Angert KS, et al. The DAU allele cluster of the RHD gene. *Blood* 2002;100:306-11.
 47. Tammi SM, Tounsi WA, Sainio S, et al. Next-generation sequencing of 35 RHD variants in 16 253 serologically D-pregnant women in the Finnish population. *Blood Adv* 2020;4:4994-5001.
 48. Tounsi WA, Lenis VP, Tammi SM, et al. Rh Blood Group D Antigen Genotyping Using a Portable Nanopore-based Sequencing Device: Proof of Principle. *Clin Chem* 2022;68:1196-201.
 49. Zhang Z, An HH, Vege S, et al. Accurate long-read sequencing allows assembly of the duplicated RHD and RHCE genes harboring variants relevant to blood transfusion. *Am J Hum Genet* 2022;109:180-91.
 50. Möller M, Jöud M, Storry JR, et al. ErythroGene: a database for in-depth analysis of the extensive variation in 36 blood group systems in the 1000 Genomes Project. *Blood Adv* 2016;1:240-9.
 51. Chang TC, Hauptfear KM, Yu J, et al. A novel algorithm comprehensively characterizes human RH genes using whole-genome sequencing data. *Blood Adv* 2020;4:4347-57.
 52. Haer-Wigman L, Veldhuisen B, Jonkers R, et al. RHD and RHCE variant and zygosity genotyping via multiplex ligation-dependent probe amplification. *Transfusion* 2013;53:1559-74.

doi: 10.21037/aob-22-41

Cite this article as: Madgett TE, Tounsi WA, Halawani AJ, Avent ND. *RHD* molecular analysis—from discovery to next generation sequencing. *Ann Blood* 2023.